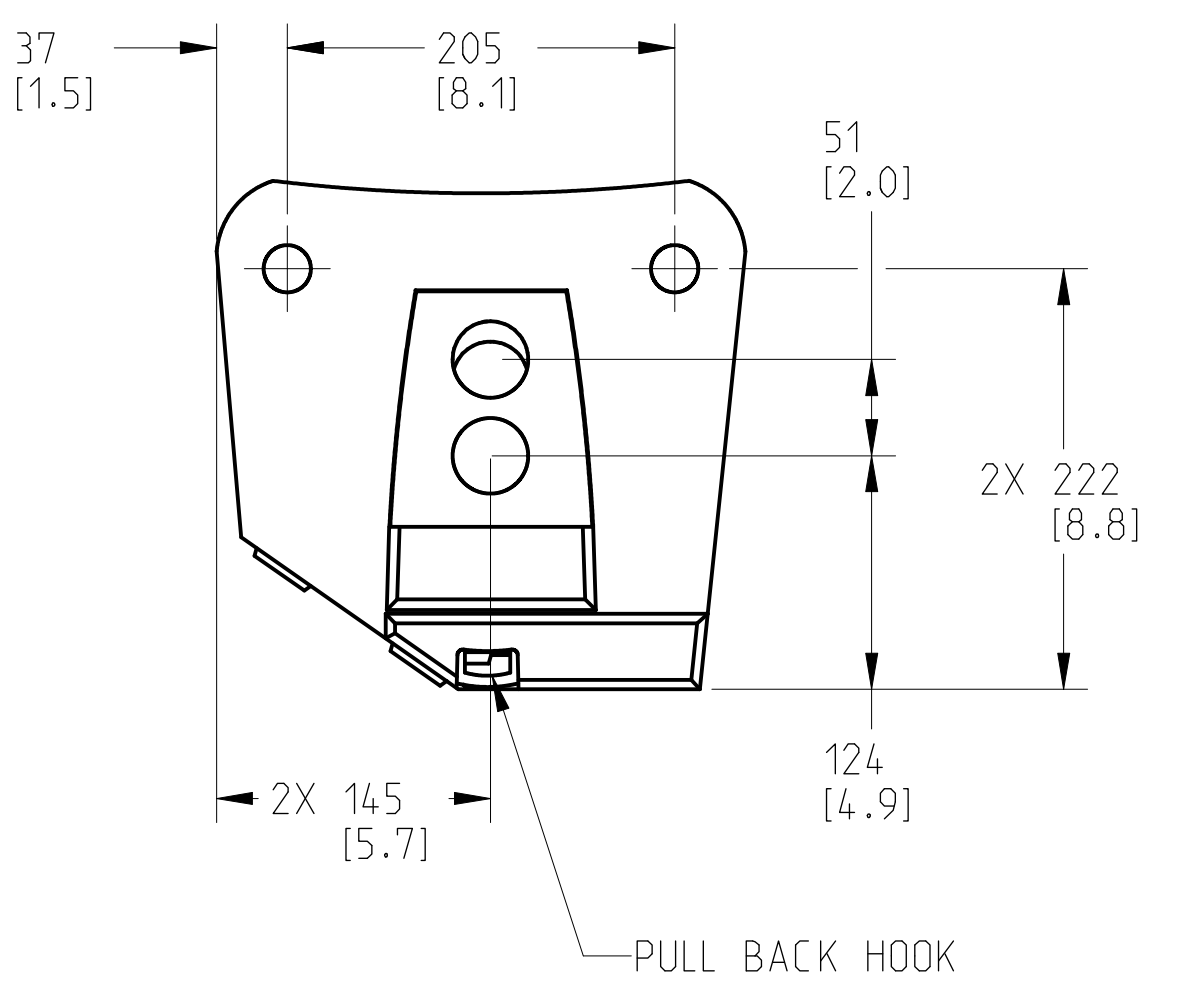
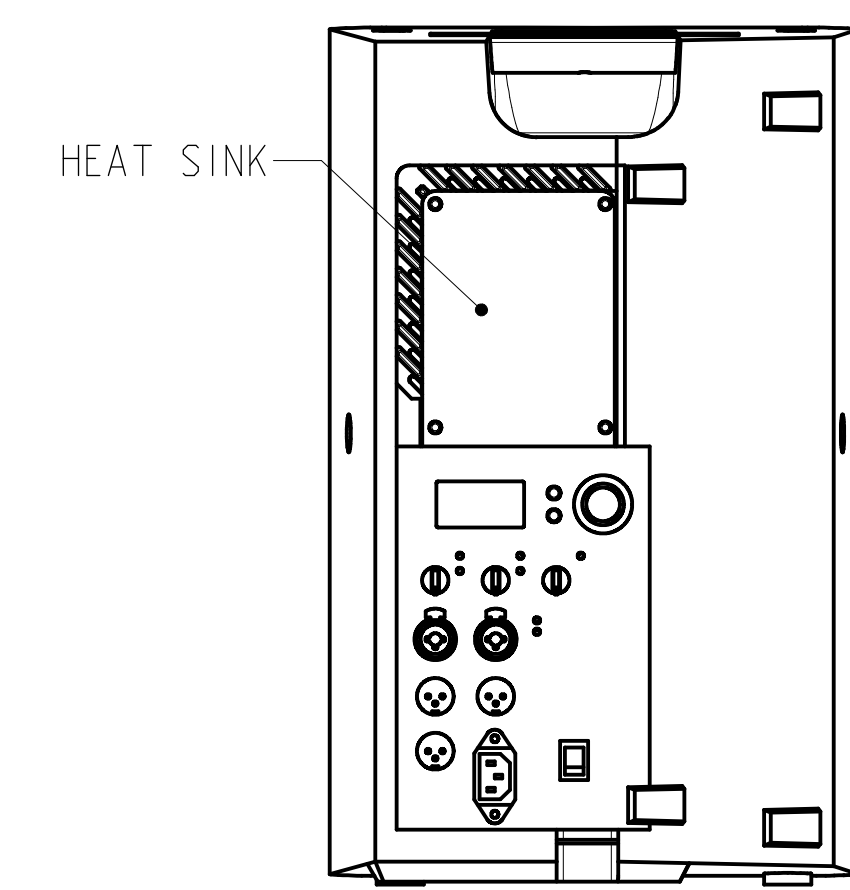
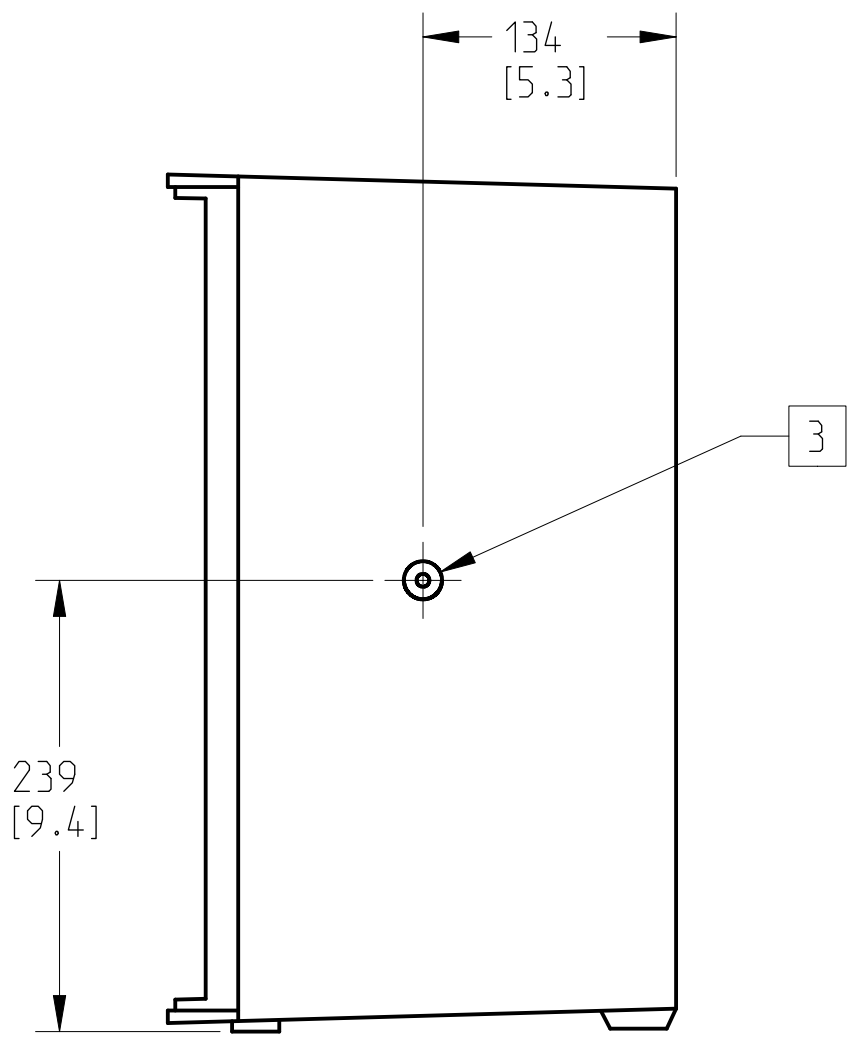
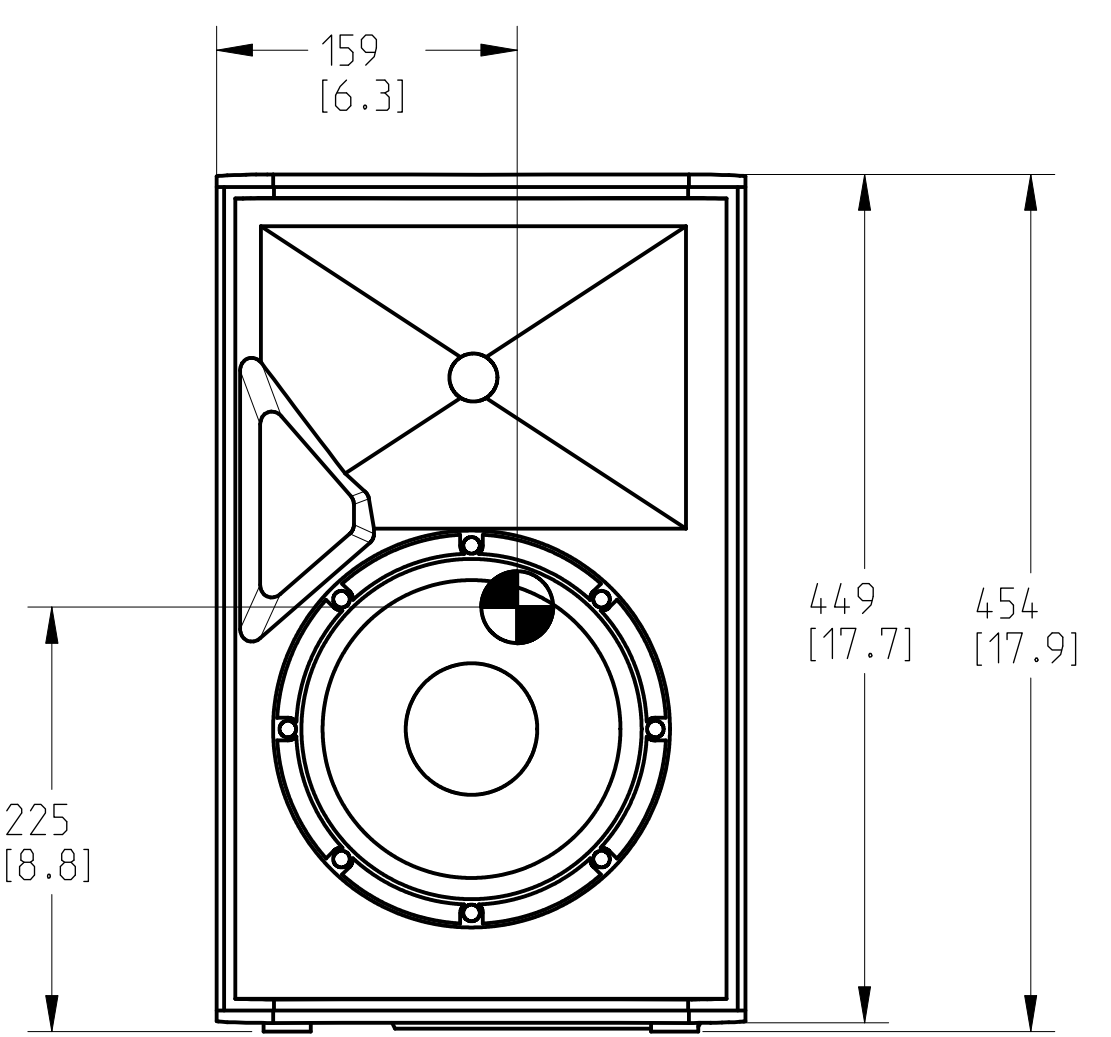
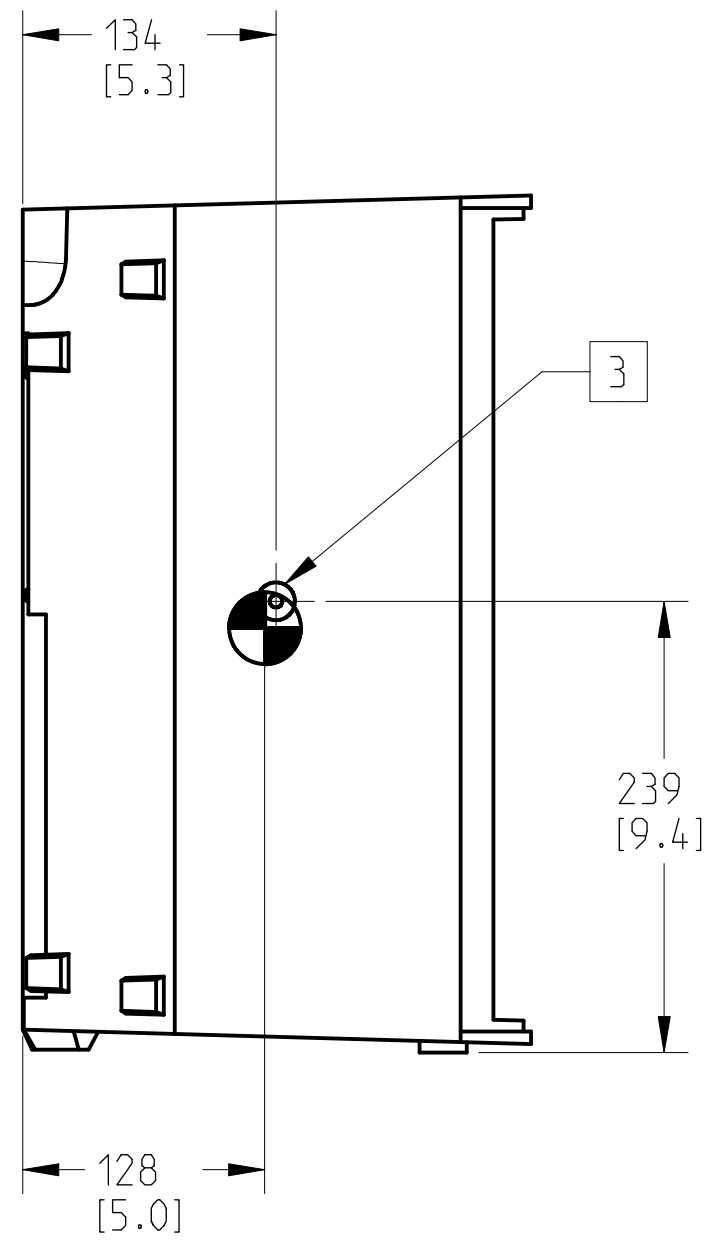
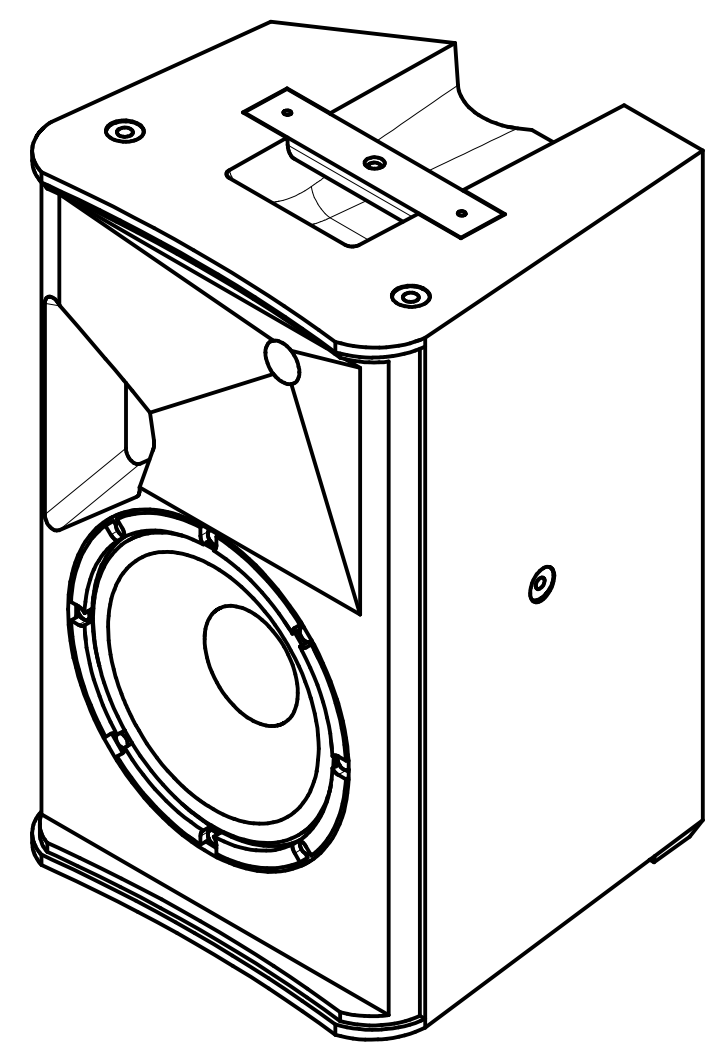
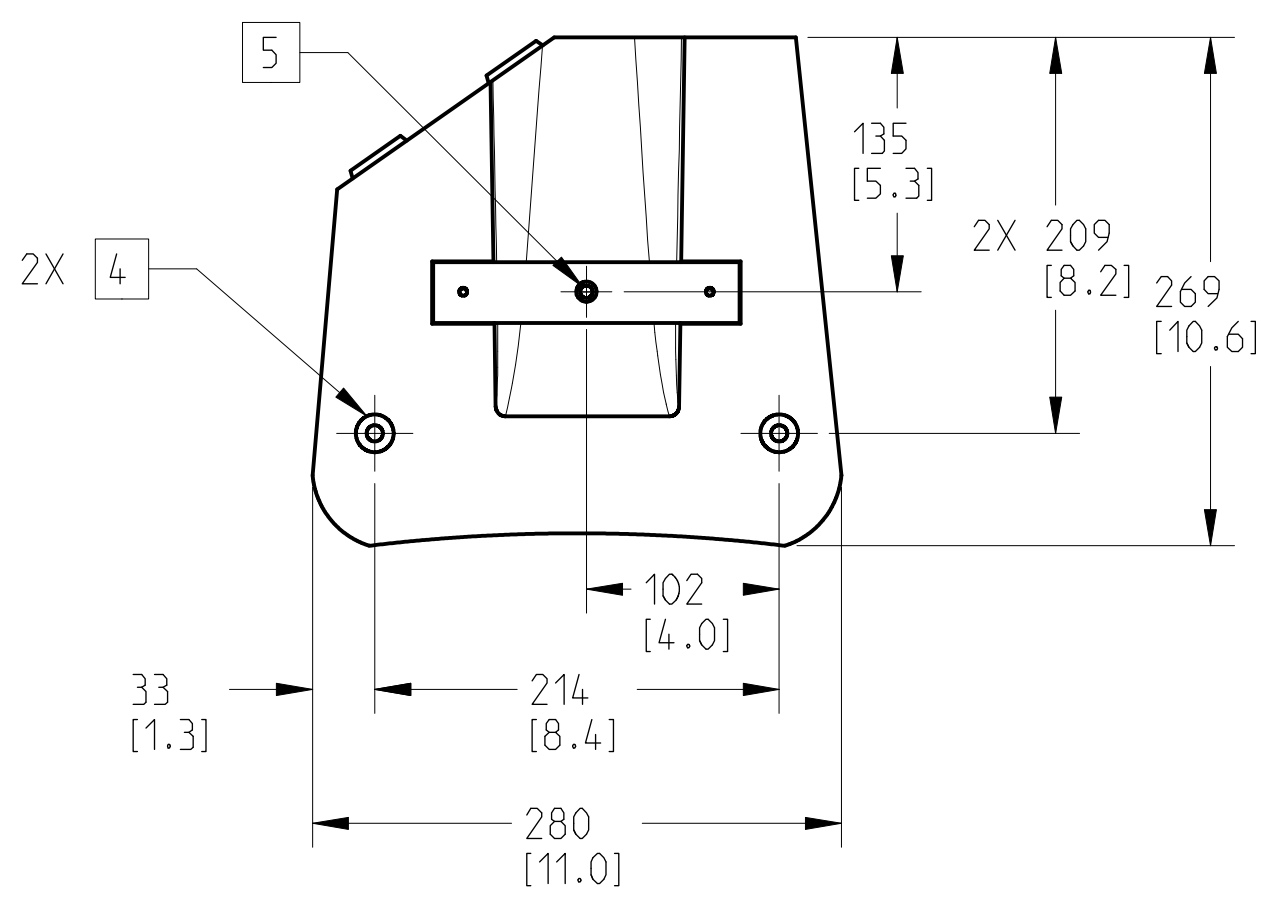


THIS DOCUMENT CONTAINS PROPRIETARY INFORMATION WHICH IS THE PROPERTY OF QSC, LLC. THAT MAY NOT BE DISCLOSED, REPRODUCED OR USED WITHOUT EXPRESS WRITTEN CONSENT FROM QSC, LLC.

REVISIONS			
REV	DESCRIPTION	BY	DATE
A	RELEASE FOR SALES AND MARKETING	ES	16-MAR-17



- 8. GRILLE NOT SHOWN FOR CLARITY.
- 7. DIMENSIONS ARE IN MILLIMETERS [INCH].
- 6. SYMBOL ● INDICATES CENTER OF BALANCE.
- 5. YOKE MOUNT ATTACHMENT POINT, M8 THREAD, 1 PLACE.
- 4. SYMBOL ⊙ INDICATES SUSPENSION POINT, M10 THREAD, 2 PLACES.
- 3. SYMBOL ⊙ INDICATES SUSPENSION POINT, M8 THREAD, 2 PLACES.
- 2. TOLERANCES (MM): X ± 3, ANGLES: ± 1°.
- 1. NET WEIGHT APPROX. 26.5 LBS [12.0 KG].

NOTES: UNLESS OTHERWISE SPECIFIED

UNLESS OTHERWISE SPECIFIED DIMENSIONS IN MILLIMETERS (IN) TOLERANCES ARE: DECIMALS .XX±.02 ANGLES ± 1/2 DECURR EDGES .25 (1.01) R MAX	DESIGNER ENG. SERVICES	QSC, LLC 1675 MACARTHUR BOULEVARD COSTA MESA, CA 92626	SPEAKER, K8.2, N/A, UNIV SPLY, GEN-II, 8", 2-WAY, FINISHED
	ENGINEER		
MATERIAL	MANUFACTURING ENGINEER	SIZE D	CAGE CODE 00PW4
FINISH	DRAWING INFO: FG-200008-2D.A.3	DRAWING NO. FG-200008-2D	REV A
	MODEL INFO: FG-200008-3D.A.3	SCALE: 0.250	DO NOT SCALE DRAWING SHEET 1 OF 1