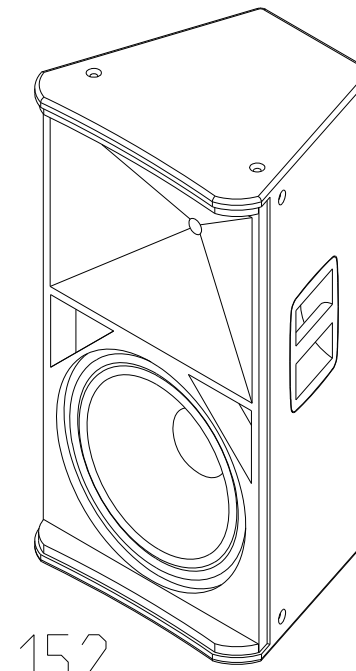
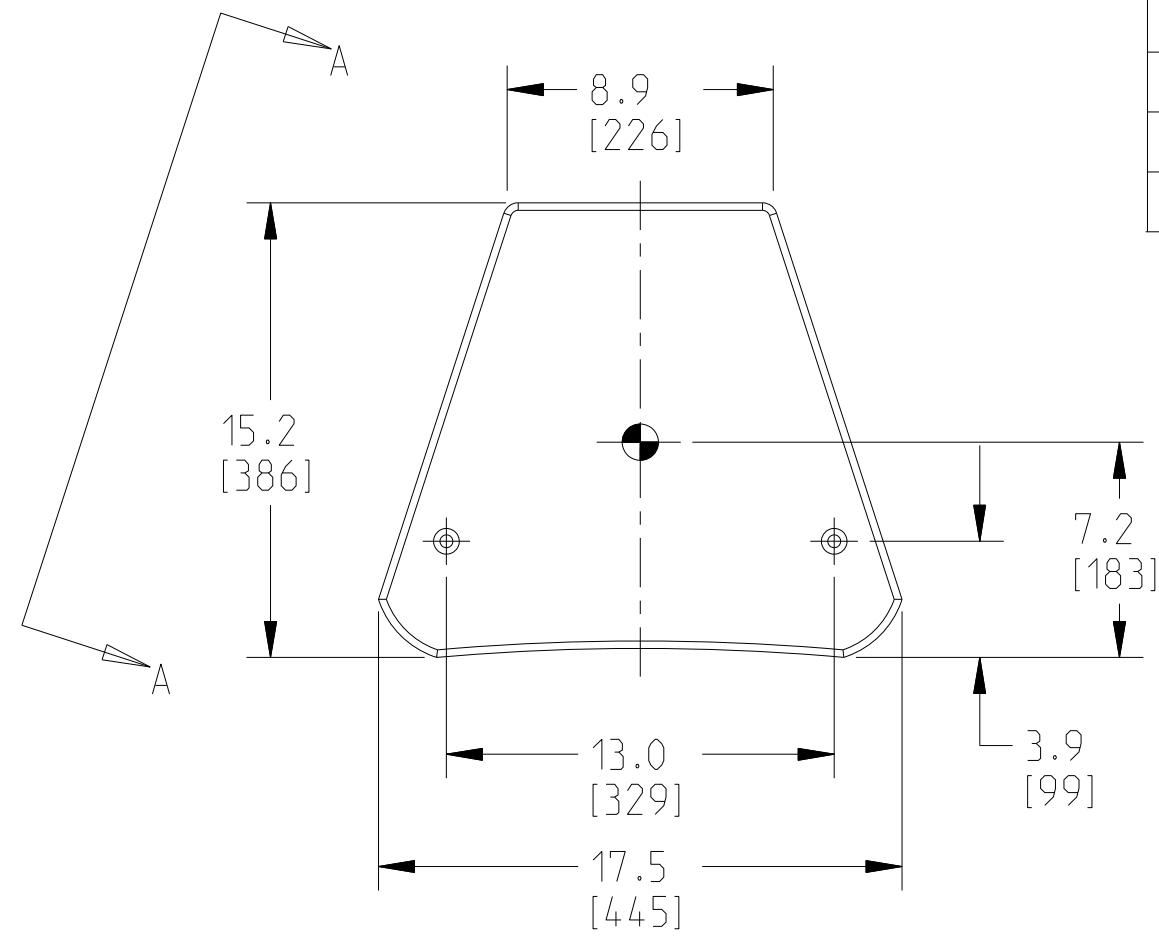


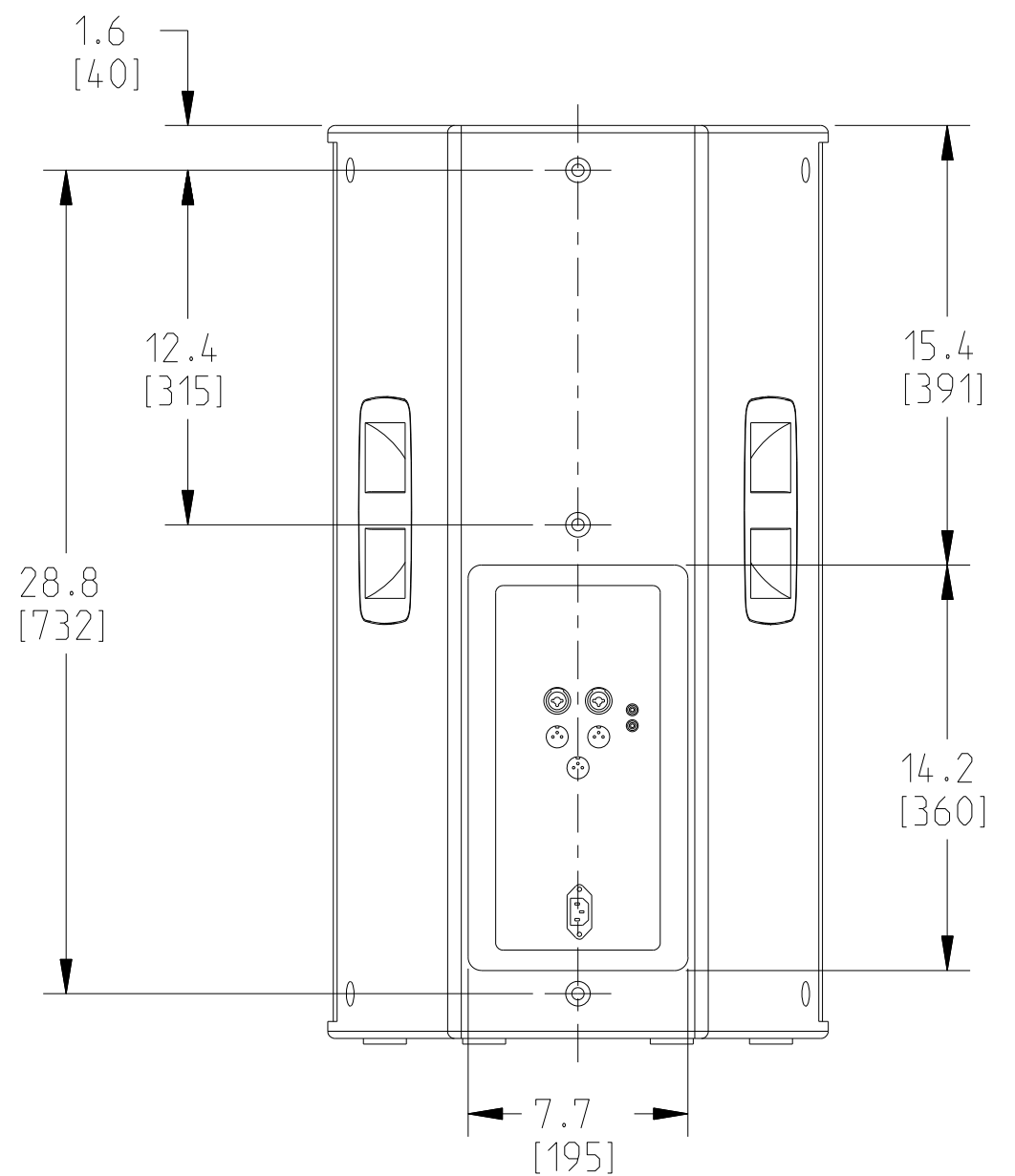
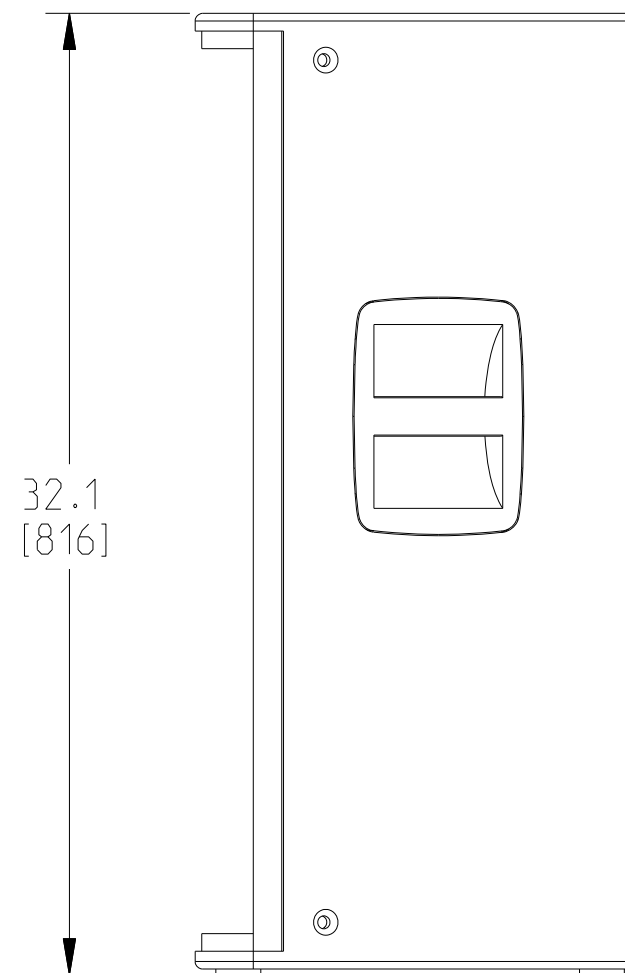
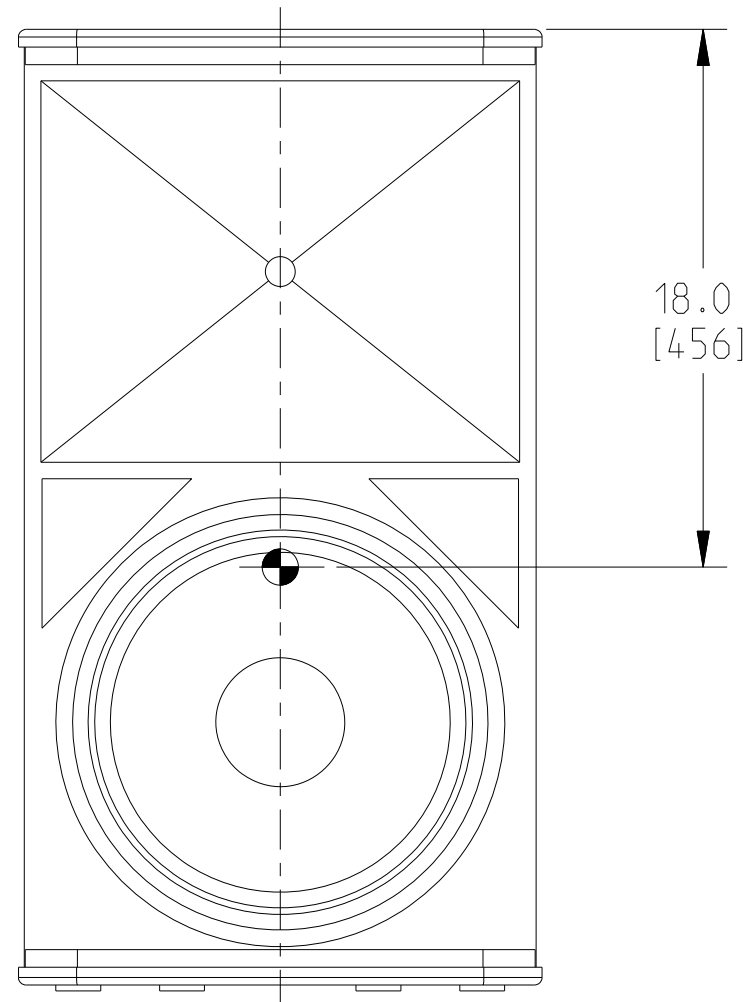
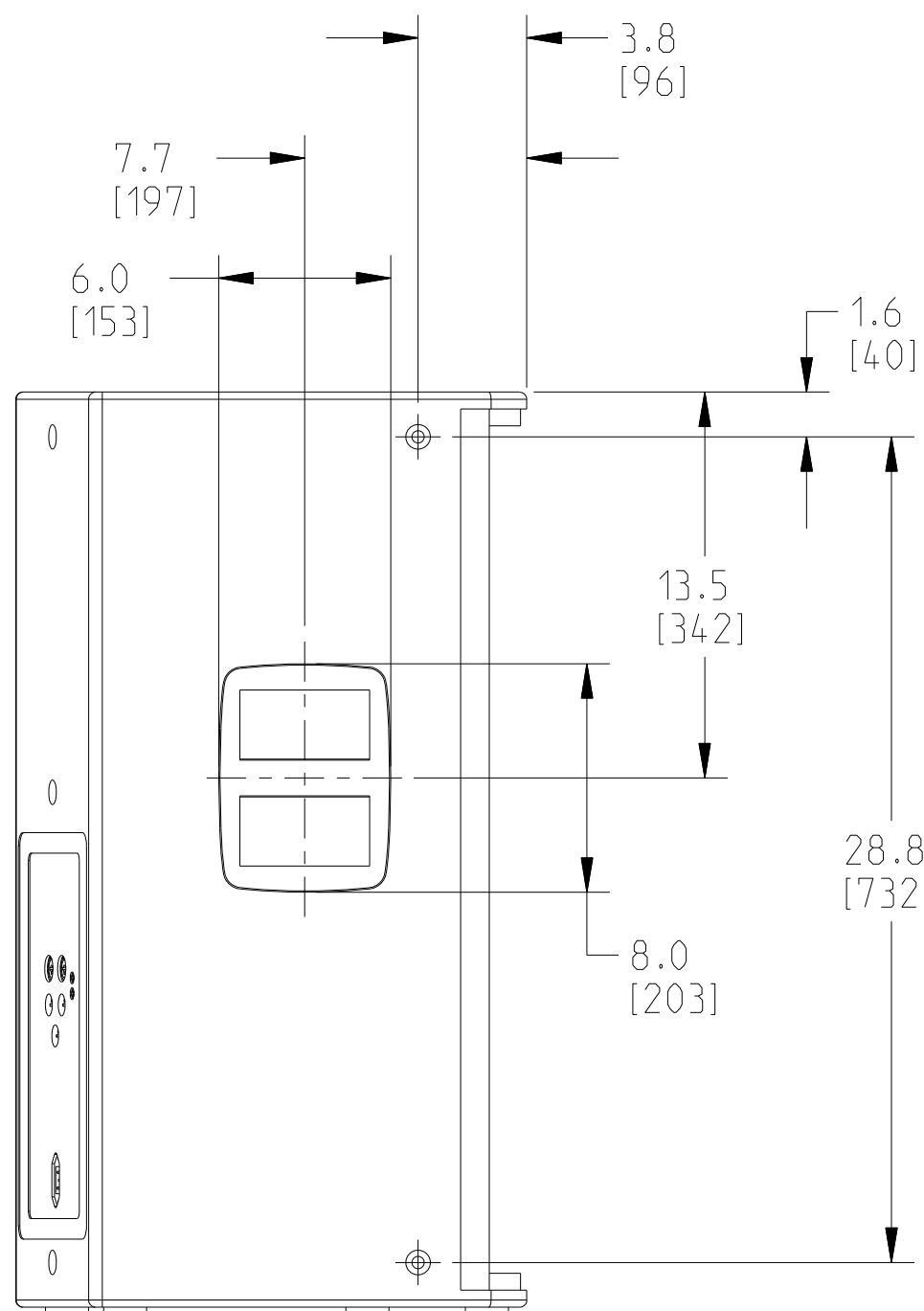
THIS DOCUMENT CONTAINS PROPRIETARY INFORMATION WHICH IS THE PROPERTY OF QSC AUDIO PRODUCTS. THAT MAY NOT BE DISCLOSED, REPRODUCED OR USED WITHOUT EXPRESS WRITTEN CONSENT FROM QSC AUDIO PRODUCTS.

REVISIONS

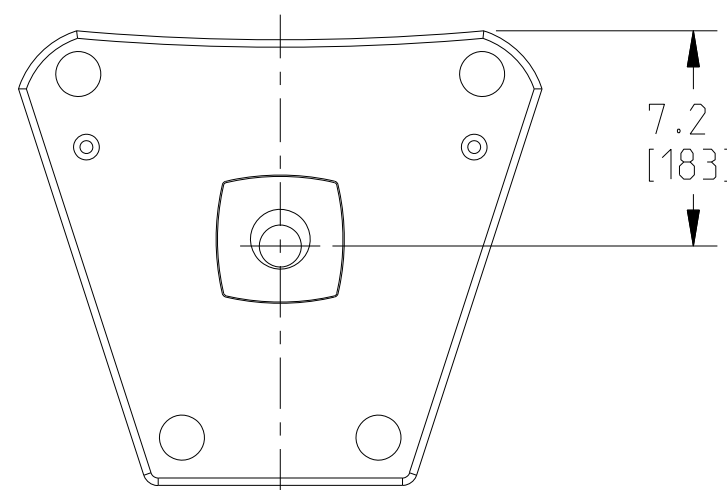
REV	ECO	DESCRIPTION	BY	EFF DATE	ISSUED
A	-	RELEASE	JD	01-JUL-10	DD



KW 152



VIEW A-A ROTATED COUNTER CLOCKWISE 108°



5. PARTS ARE SYMMETRICAL ABOUT CENTER LINES UNLESS OTHERWISE NOTED.
 4. SYMBOL INDICATES CENTER OF BALANCE.
 3. SYMBOL INDICATES SUSPENSION POINT, 11 TOTAL: M10-1.5 THD.
 2. TOLERANCES (INCHES): .X ± .13, ANGLES: ± 1°.
 1. NET WEIGHT APPROX. 64 LBS (29.0 KG)
- NOTE: UNLESS OTHERWISE SPECIFIED

<p>UNLESS OTHERWISE SPECIFIED DIMENSIONS IN INCHES (MM)</p> <p>TOLERANCES ARE:</p> <p>DECIMALS DECIMALS ANGLES</p> <p>.XX ± .02(.5) .XXX ± .01(.25) ± 1/2</p> <p>DEBURR EDGES .010 (.25) R MAX</p>	APPROVALS	DATE (DD-MMM-YY)	<p>QSC AUDIO PRODUCTS, LLC 1675 MACARTHUR BOULEVARD COSTA MESA, CA 92626</p>												
	DRAWN J. DELARM	12-APR-10													
	CHECKED J. CHAVEZ	30-JUN-10													
	MFG-ENG J. O'CONNOR	28-JUN-10													
	QA CHECK N/A	-													
FINISH	DRAWING INFO: FG-215200-2D.A.2	MODEL INFO: FG-215200-3D.A.0	<p>SPEAKER, FINISHED, KW 152</p> <table border="1"> <tr> <td>SIZE</td> <td>CAGE CODE</td> <td>DRAWING NO.</td> <td>REV</td> </tr> <tr> <td>C</td> <td>00PW4</td> <td>FG-215200-2D</td> <td>A</td> </tr> <tr> <td>SCALE:</td> <td>0.156</td> <td>DO NOT SCALE DRAWING</td> <td>SHEET 1 OF 1</td> </tr> </table>	SIZE	CAGE CODE	DRAWING NO.	REV	C	00PW4	FG-215200-2D	A	SCALE:	0.156	DO NOT SCALE DRAWING	SHEET 1 OF 1
SIZE	CAGE CODE	DRAWING NO.	REV												
C	00PW4	FG-215200-2D	A												
SCALE:	0.156	DO NOT SCALE DRAWING	SHEET 1 OF 1												