
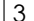
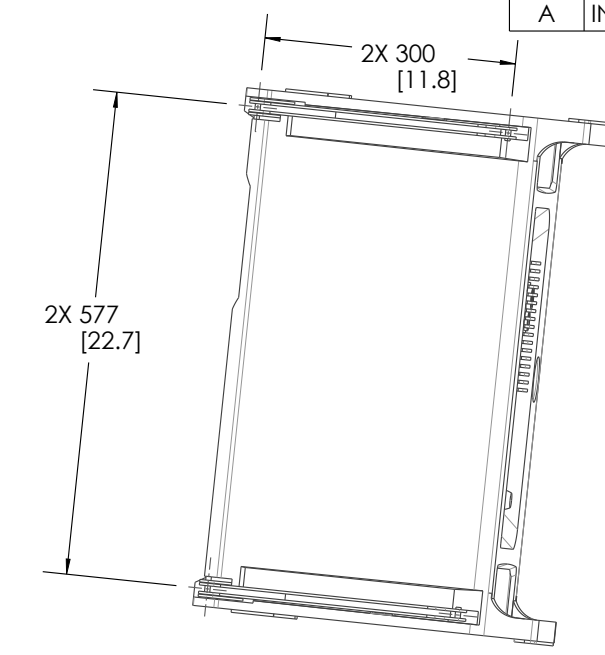
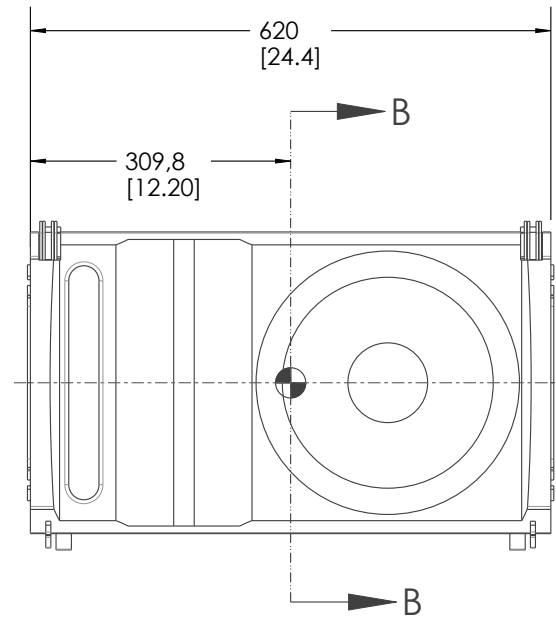
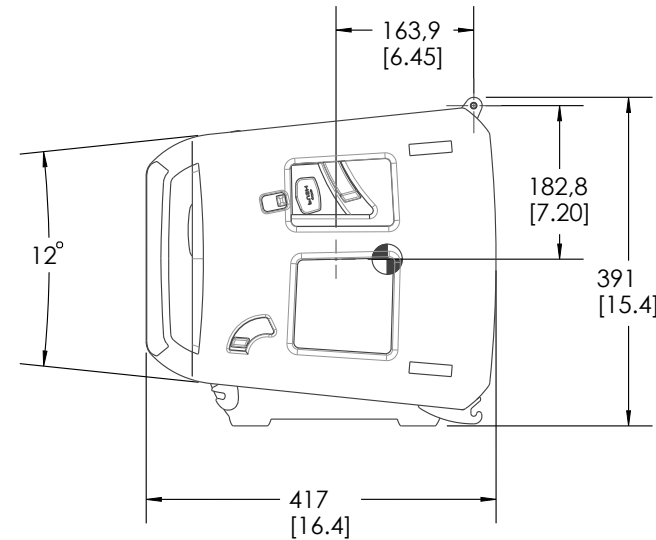


THIS DOCUMENT CONTAINS CONFIDENTIAL OR PROPRIETARY INFORMATION WHICH IS THE PROPERTY OF QSC, LLC, THAT MAY NOT BE DISCLOSED, REPRODUCED OR USED WITHOUT EXPRESS WRITTEN CONSENT FROM QSC, LLC. NO PORTION OF THIS DOCUMENT MAY BE REPRODUCED, REDISTRIBUTED, OR OTHERWISE DISCLOSED TO ANY THIRD PARTY WITHOUT QSC'S WRITTEN PERMISSION.

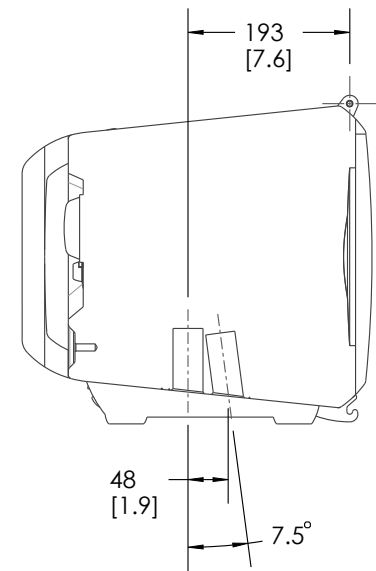
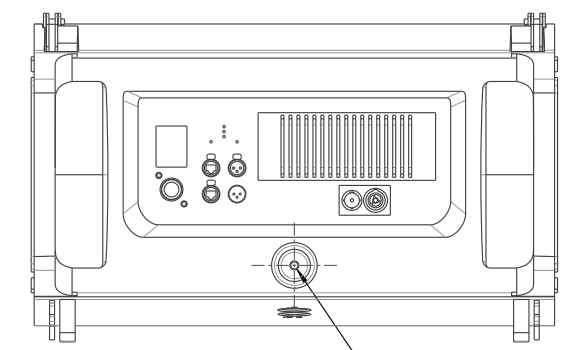
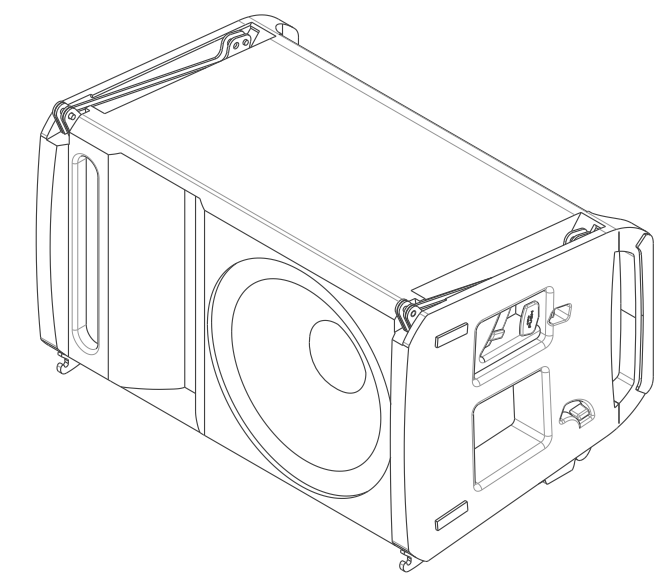
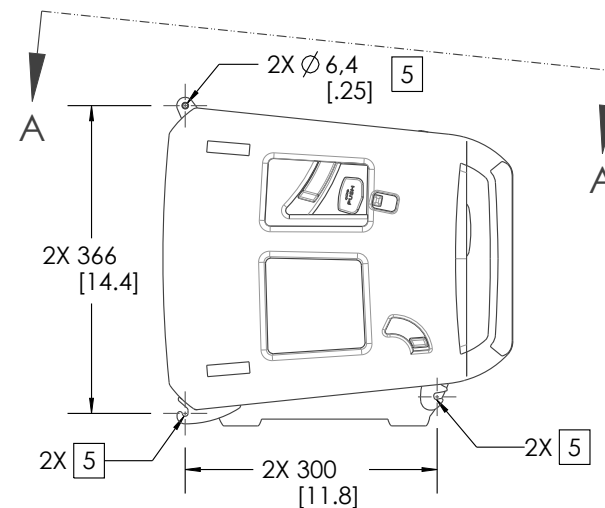
REVISION			
REV	DESCRIPTION	BY	DATE
A	INITIAL RELEASE	SS	9-SEPT-2022

NOTES: UNLESS OTHERWISE SPECIFIED

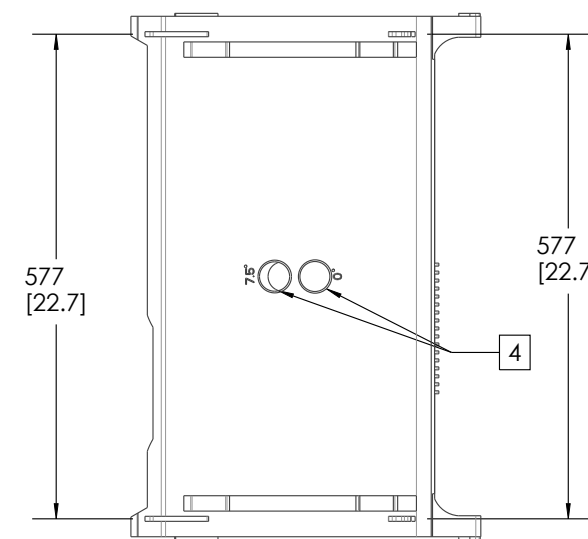
- NET WEIGHT APPROX. 21.4 KG [47.2 LBS].
- SYMBOL  INDICATES CENTER OF GRAVITY.
- SYMBOL  INDICATES SUSPENSION POINT, M10 THREAD, 1 PLACE.
- POLE MOUNT LOCATION, 2 PLACES.
- SUSPENSION PIN MOUNTING LOCATIONS, 6 PLACES.
- GRILLE NOT SHOWN FOR CLARITY.




VIEW A-A



SECTION B-B



UNLESS OTHERWISE SPECIFIED DIMENSIONS ARE IN MM [IN]		CAD GENERATED DRAWING DO NOT MANUALLY UPDATE	
TOLERANCES ARE:		APPROVALS	
DECIMALS	ANGLES	DRAWN BY	
.X ± 3 [1.2]	± 1°	S. STASIAK	
.XX ±		MECH ENGINEER	
		T. AMUNDSON	
MATERIAL	SEE NOTES	TECH DIRECTOR	
FINISH	SEE NOTES	R. VAUCHER	
DO NOT SCALE DRAWING		MFG ENGINEER	
		C. YOMOGIDA	
PROJECTION SYMBOL 			

		QSC, LLC 1675 MACARTHUR BOULEVARD COSTA MESA, CA 92626 USA	
LOUDSPEAKER, LA112,100-2 40V, 12" 2-WAY			
SIZE	CAGE CODE	DWG. NO.	REV
B	00PW4	FG-901523-2D	A
SCALE: 1:7		CAD FILE: FG-901523-2D.A.1	SHEET: 1 OF 1