


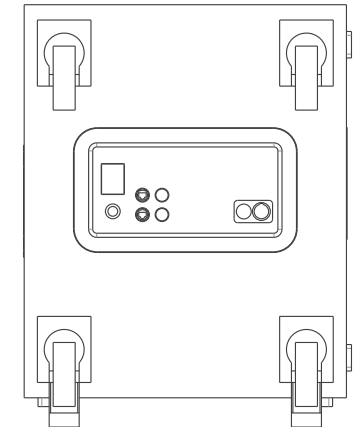
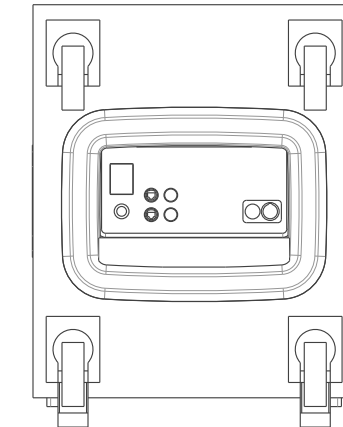
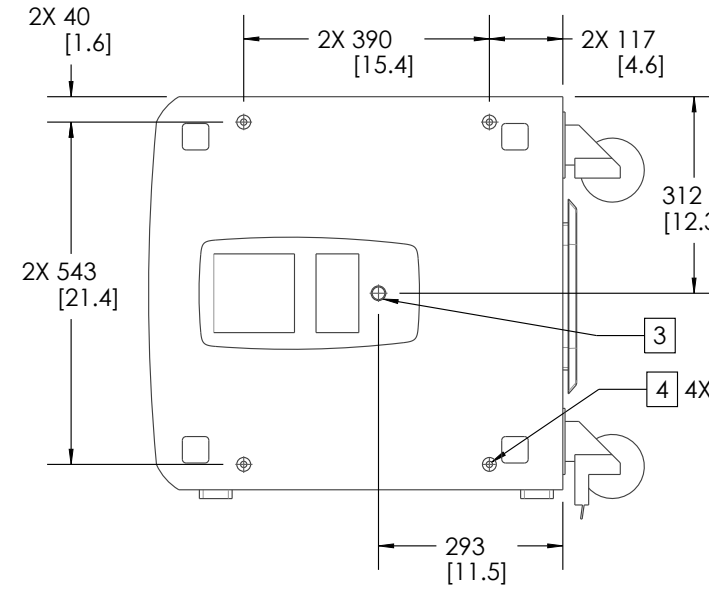
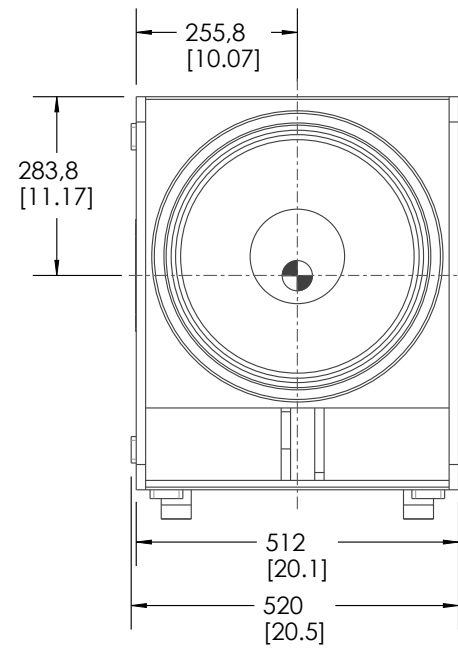
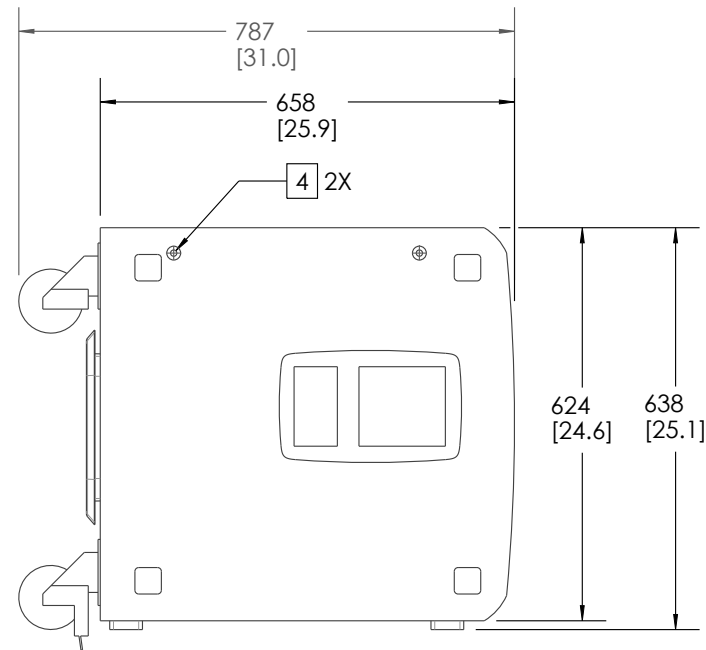
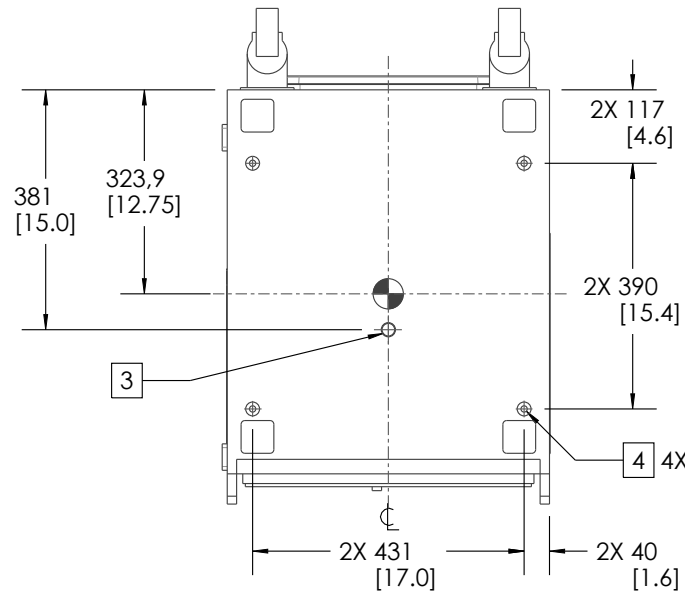


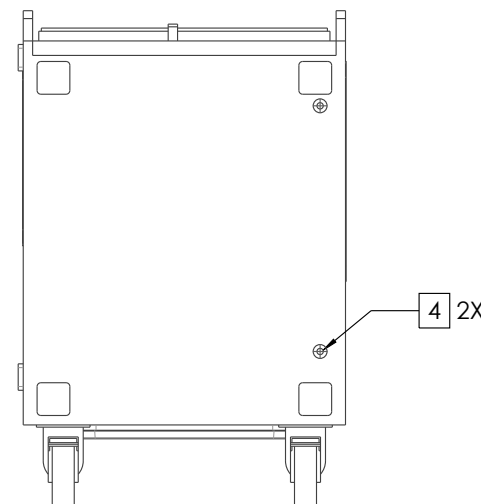
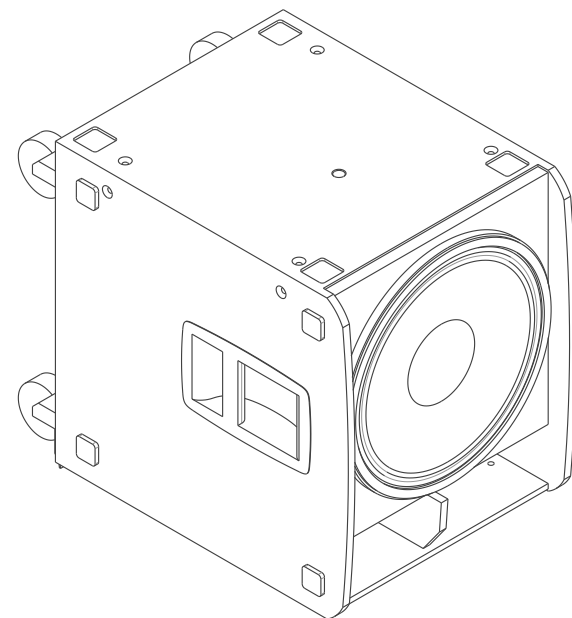
THIS DOCUMENT CONTAINS CONFIDENTIAL OR PROPRIETARY INFORMATION WHICH IS THE PROPERTY OF QSC, LLC, THAT MAY NOT BE DISCLOSED, REPRODUCED OR USED WITHOUT EXPRESS WRITTEN CONSENT FROM QSC, LLC. NO PORTION OF THIS DOCUMENT MAY BE REPRODUCED, REDISTRIBUTED, OR OTHERWISE DISCLOSED TO ANY THIRD PARTY WITHOUT QSC'S WRITTEN PERMISSION.



REVISION			
REV	DESCRIPTION	BY	DATE
A	INITIAL RELEASE	MD	03-OCT-22

- NOTES: UNLESS OTHERWISE SPECIFIED
- NET WEIGHT APPROX. 49.9 KG [110 LBS].
 - SYMBOL  INDICATES CENTER OF GRAVITY.
 - SYMBOL  INDICATES POLE MOUNT LOCATION, M20 THREAD, 2 PLACES.
 - SYMBOL  INDICATES SUSPENSION POINT, M10 THREAD, 12 PLACES.
 - GRILLE NOT SHOWN FOR CLARITY.



WITHOUT WEATHER COVER



UNLESS OTHERWISE SPECIFIED DIMENSIONS ARE IN MM [IN] TOLERANCES ARE: DECIMALS X ± 3 [.12] ANGLES ± 1° FINISH N/A DO NOT SCALE DRAWING PROJECTION SYMBOL 	CAD GENERATED DRAWING DO NOT MANUALLY UPDATE	 QSC, LLC 1675 MACARTHUR BOULEVARD COSTA MESA, CA 92626 USA
	APPROVALS	
MATERIAL N/A	DRAWN BY M. DAVILA	LOUDSPEAKER, LS118, 100-240V
FINISH N/A	MECH ENGINEER T. AMUNDSON	
DO NOT SCALE DRAWING	TECH DIRECTOR R. VAUCHER	
	MFG ENGINEER C. YOMOGIDA	
	SIZE B CAGE CODE 00PW4 DWG. NO. FG-901524-2D REV A	SCALE: 1:12 CAD FILE: FG-901524-2D.A.8 SHEET: 1 OF 1